

80.00 mm

130.00 mm



For Customer Service
Visit Our Website At
www.audiovox.com
Product Information, Photos,
FAQ's Owner's Manuals

AUDIOVOX ACA800 REAR VIEW CAMERA

Reverse Camera Installation Manual

FEATURES:

- High Resolution: 1/3.6" CMOS Color Camera
- Waterproof Housing
- 150 Degree Wide View Angle
- Minimum Illumination <0.3Lux
- Resolution – 670 x 490
- Waterproof – IP67 Rated
- Operating Temp – 30c to +70c
- Current – Max: 80mA

©2015 Voxx Intl Electronics Corp., 150 Marcus Blvd., Hauppauge, N.Y. 11788

Size: 130*80 mm
Material: Both-side coated paper 127g

TABLE OF CONTENTS

Warnings	2
Product Description	3
Packing List	4
Camera Installation	5
Camera Wiring Diagrams	8
Troubleshooting	9



12 MONTH LIMITED WARRANTY *Applies to Audiovox Mobile Video Products*

AUDIOVOX ELECTRONICS CORP. (the Company) warrants to the original retail purchaser of this product that should this product or any part thereof, under normal use and conditions, be proven defective in material or workmanship within 12 months from the date of original purchase, such defect(s) will be repaired or replaced with reconditioned product (at the Company's option) without charge for parts and repair labor. A game controller, if supplied, is similarly warranted for ninety (90) days.

To obtain repair or replacement within the terms of this Warranty, the product is to be delivered with proof of warranty coverage (e.g. dated bill of sale), specification of defect(s), transportation prepaid, to the Company at the address shown below.

This Warranty does not extend to the elimination of externally generated static or noise, to correction of antenna problems, to costs incurred for installation, removal or reinstallation of the product, or to damage to digital memory/media devices, gaming devices, discs, speakers, accessories, or vehicle electrical systems.

This Warranty does not apply to any product or part thereof which, in the opinion of the Company, has suffered or been damaged through alteration, improper installation, mishandling, misuse, neglect, accident, or by removal or defacement of the factory serial number/bar code label(s). THE EXTENT OF THE COMPANY'S LIABILITY UNDER THIS WARRANTY IS LIMITED TO THE REPAIR OR REPLACEMENT PROVIDED ABOVE AND, IN NO EVENT, SHALL THE COMPANY'S LIABILITY EXCEED THE PURCHASE PRICE PAID BY PURCHASER FOR THE PRODUCT.

This Warranty is in lieu of all other express warranties or liabilities. ANY IMPLIED WARRANTIES, INCLUDING ANY IMPLIED WARRANTY OF MERCHANTABILITY, SHALL BE LIMITED TO THE DURATION OF THIS WRITTEN WARRANTY. ANY ACTION FOR BREACH OF ANY WARRANTY HEREUNDER INCLUDING ANY IMPLIED WARRANTY OF MERCHANTABILITY MUST BE BROUGHT WITHIN A PERIOD OF 24 MONTHS FROM DATE OF ORIGINAL PURCHASE. IN NO CASE SHALL THE COMPANY BE LIABLE FOR ANY CONSEQUENTIAL OR INCIDENTAL DAMAGES FOR BREACH OF THIS OR ANY OTHER WARRANTY. No person or representative is authorized to assume for the Company any liability other than expressed herein in connection with the sale of this product.

Some states do not allow limitations on how long an implied warranty lasts or the exclusion or limitation of incidental or consequential damage so the above limitations or exclusions may not apply to you. This Warranty gives you specific legal rights and you may also have other rights which vary from state to state.

Troubleshooting

Symptoms	Solutions
No video signal appears while reversing the vehicle	<ol style="list-style-type: none">1. Check your reverse wire for your monitor.2. Check the rear view camera wiring connection and RCA connection.
Video image is not sharp enough	<ol style="list-style-type: none">1. Clean the camera lens.2. Make sure a Video cable was used and not an Audio cable as the extension
Camera stays on when not in reverse.	Check the camera power wiring or your reverse wire.

Warnings

The product is intended to assist in safe driving and to allow the driver to have a broader rear view while the vehicle is in reverse. You, as the driver, are solely responsible for the safe operation of your vehicle and the safety of your passengers according to local traffic regulations. Do not use any features of this system to the extent it distracts you from safe driving. Your first priority while driving should always be the safe operation of your vehicle. Audiovox Electronics Corporation cannot accept any responsibility whatsoever for accidents resulting from failure to observe these precautions or safety instructions.

1. This product utilizes high voltage. Any unauthorized modifications or damage to the product may result in electrical shock. Handle all components with care. Inspect regularly for damage to components and cabling.
2. You are responsible for ensuring that the installation of this product does not void or affect the vehicle manufacturer's warranty. Audiovox Electronics Corporation or its subsidiaries are not liable in full or in part for improper installation resulting in loss or damage to your property, or for voiding all or part of the vehicle manufacturer's warranty.
3. Do not apply excessive force to any of the components contained within this kit. Excessive force used before, during or after installation that results in a damaged or non-functional part will void all warranties.
4. Please follow the procedures in this installation manual. Improper installation or modification of this product will void all warranties.

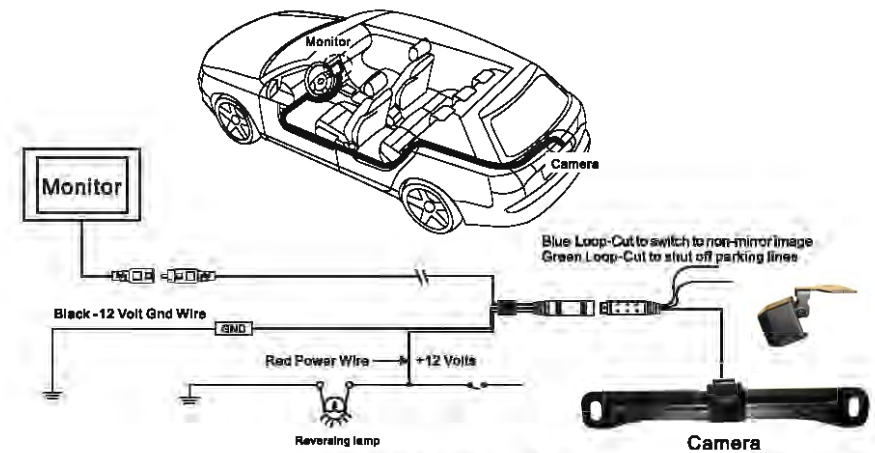
Product Description

This revolutionary camera design integrates a backup camera with your vehicle. The camera is easy to mount on your car, truck, or van but **ALWAYS CHECK AND DOUBLE CHECK** before drilling or mounting any item on the vehicle. Make sure there are no obstructions in front of the camera, behind where mounting the camera, and that the wire can be run without pinching or interfering with any other item.

This Wired Camera is compatible with most monitor/TFT screens and can be connected using a standard RCA connector. If an extension lead is required be sure to use a Video cable with RCA type ends. An Audio cable will cause poor picture quality.

3

Camera Wiring Diagrams



NOTE: After cutting wires use electrical tape to protect exposed ends.

8

6. Use the included hardware to secure the camera in place. **DO NOT OVERTIGHTEN** the hardware.
7. Wire the Camera's power wire to the vehicle's reverse lamp.
 - a) Locate the reverse lamp in the tail light assembly.
 - b) Using a crimp connector or by soldering attach the red wire to the positive 12 volt wire from the reverse lamp. This should only have power when the car is in reverse gear and the white lamp is illuminated. Attach the black wire to the black wire to the ground (Negative 12 Volts only).
8. Run the video cable to the front of the vehicle for connection to your monitor. Use caution to insure you do not interfere with any safety device or other items.

NOTE: Some vehicles with LED style tail lights will require the camera be connected to a accessory power source as the tail light circuit is not designed to power other devices.

Packing List

Parts	Barcode #	Quantity
Camera	31772040	1
Power Cable & Video Cable	31292170	1
Mounting Screws / Hardware Bag	31772010	1
CAM335 Bracket	31772270	1
Manual	31772020	1

Camera Installation

1. Remove the rear license plate.
2. Examine the vehicle to determine the best way to run the power wires to the reverse lights and the extension cable through the car.
3. The Camera can be mounted above or below the plate. (For surface mounting with the included bracket, see the next section.) Determine the mounting location that best suits your needs. Be sure to verify that your installation plan complies with local laws and requirements. Most states require that the state name, registration stickers, and license number are not obstructed in any way.
4. Place the camera bracket behind the license plate and line up the holes. Fasten the camera mounting bracket and the license plate to the vehicle using the anti-theft screws provided. After installation of screws with the tool provided, place the tool in the glove compartment or other safe place for future use.
5. Route the camera wiring into the vehicle. The wire can be run through an existing grommet, behind a tail lamp, under the trunk molding, or if necessary, through a 5/8 inch hole drilled near the vehicle's rear license plate. **When choosing a wiring path, make sure the cable will not be damaged or pinched, as this may cause a short circuit that is not covered by the warranty.** If drilling a hole, perform the following steps:
 - a) Acquire a 1/2 inch drill bit, rust preventive, 1/2 inch rubber grommet, all of which can be purchased at a hardware store.
 - b) Check behind the intended drilling location before drilling to verify that no wires or mechanisms can interfere with or be damaged during drilling.
 - c) Check for interference with license plate lights and the hatch release switch and/or mechanism.
 - d) Drill a 1/2 inch hole at the selected location.
 - e) Coat the edge of the hole with rust preventative.
 - f) Route the camera cable through the grommet and then through the hole.
 - g) Insert the grommet in the hole to keep water from entering the vehicle.