

8.0 MINI ELLIPSE BOLLARD™

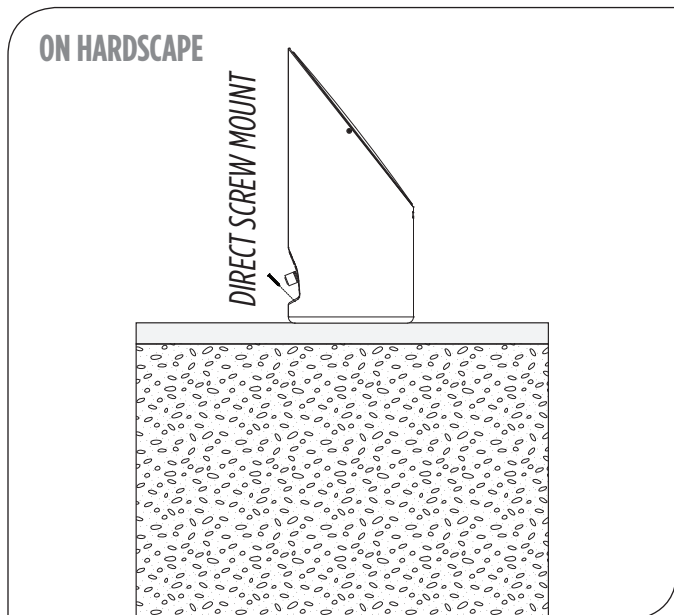
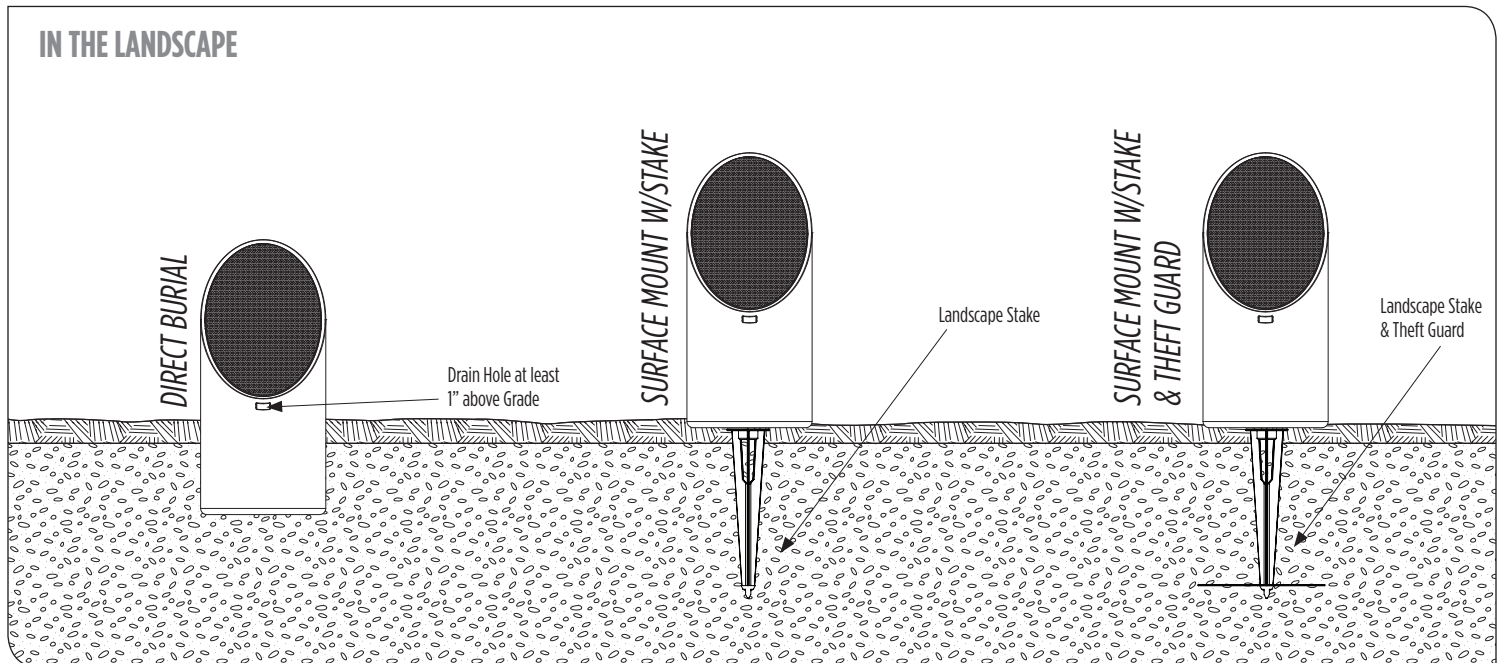
Product Manual

EB82W6.5BN

Features & Benefits

- Sleek design that can be easily hidden within a landscape yet looks great when installed out in the open.
- Large driver area compared to conventional outdoor speakers offering higher performance, higher efficiency, higher fidelity & less compromise.
- Installation flexibility in many forms for above-ground or in-ground applications.
- High quality materials and construction built to *Defy the Elements™*.
- Built to be part of a complete patented Coastal Source Plug+Play system or can be easily integrated into existing systems.

SPEAKER INSTALLATION OPTIONS



Direct Burial Installation

Dig a hole 10" in diameter and 6" deep. (If installing with optional stake and theft guard, dig a hole 12" in diameter and 16" deep.) Level the speaker in the hole then backfill with clean sand or soil being sure that the grill drain hole remains at least 1" above grade. Compact the sand/soil to make sure the speaker will not shift or settle over time.

Note: Hard to dig areas may benefit from a gas-powered handheld 12" auger (may be rented locally).

WIRING INSTALLATION

All Coastal Source speakers feature our patented Coastal Connector™ for a waterproof direct burial connection. For connecting to a Coastal Source amplifier just select the appropriate cable lengths and y-cables and Plug+Play the speakers to the

amplifier. For connection to 3rd party (non-CS) amplifiers, Coastal Source pigtail cables are available to convert the Coastal Connector™ on the speaker to a typical 2 conductor bare wire that can be spliced in to a conventionally wired system.

Cabling Rules

When using Coastal Source amplifiers (check amp specifications for details) up to (4) Mini Ellipse Bollard Speakers per channel may be daisy chained by using a Y-cable at each speaker. Additional speakers can be added by using a Coastal Source System Expansion Series Y-Cable. See Speaker Configuration Guide for details on wiring more than (4) speakers per channel.

Coastal Connector™ 12AWG cables can be run a maximum of 300' total per channel. For large systems requiring longer runs, please reference the operating manual supplied with our optional external Plug+Play 70V Step Down Transformers.

SOUND TUNING

Note that **optimal sound tuning is subjective and specific to each listener** so there are no hard and fast rules for optimizing the sound of a Coastal Source system. We have designed with flexibility to allow you to shape the sound to your personal preferences. The following information is offered as a brief guide. It is highly recommended to take the time to experiment and tune the system to achieve your desired sound.

SPEAKER PLACEMENT

Above Ground - Open area

Large and open sound stage with a clean and leaner frequency balance.

Above Ground - Near a rear wall surface

Large and open sound stage with a clean and fuller frequency balance.

Buried Vertical

Medium sound stage with a heavier bass balance.

Subwoofers

Those wanting very high power bass may easily integrate a subwoofer into the system. Since very low frequencies are omni-directional placement is less critical, but experimenting with placement is still recommend since proximity to walls and corners will have a significant effect on the bass output.

See Coastal Source subwoofers operating manuals for further information.

STREAMING QUALITY

Today most people stream music from a mobile device to listen to music. This makes the quality of the streaming source paramount to the overall quality of the sound of an audio system. Whether showing off to your friends, or just listening by yourself, streaming quality can make a huge difference. Below are the streaming quality rates available for the most popular music streaming services. They are listed in ascending order of sound quality.

- 64kbps (worst)
- 192kbps
- 256kbps
- 320kbps
- 14410kbps (lossless - best)

Equalization

If equalization is available from your streaming device it can aid in further fine tuning of the system's sound. Note that equalization is not a substitute for proper speaker placement and orientation. Equalization should be used in moderation to make the fine tuning adjustments as needed. Excessive equalization at high power can cause damage to amplifiers and speakers.

SETUP & INSTALLTION GUIDELINES

Spacing Guidelines

Maximum distance between speakers: 20'

Minimum distance between speakers: 8'

Speaker Coverage Guidelines

Each bollard speaker can cover 50-150 sqft of listening space.

CREATING LISTENING AREAS

For larger listening areas, surround the area with speakers equidistant from the prime listening position, crisscrossing or alternating the left and right channels.

For smaller listening areas, simply aim speakers in toward the listening positions.

Tweeter Adjustment (See Figure 1)

Since high frequencies are directional, adjust the articulating tweeter towards the listening area for optimum performance. The tweeter angle adjustment can be accessed by unscrewing the two grill set screws and removing the grill. Articulate the tweeter to the desired position, listen and readjust until optimal sound is achieved in the listening area. Replace the grill and secure with set screws. The default position of the tweeter is flush with the speaker baffle.

(see next page) →

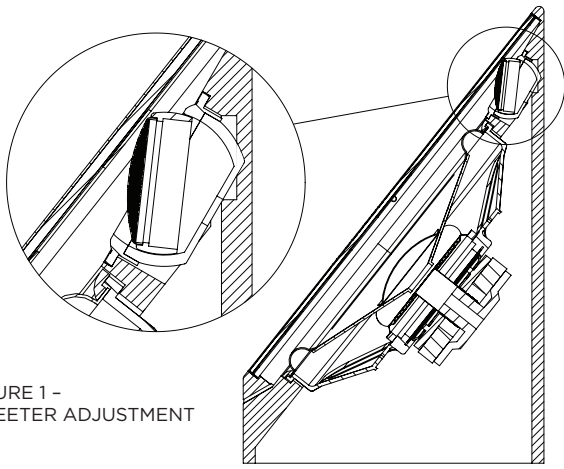


FIGURE 1 -
TWEETER ADJUSTMENT

SPECIFICATIONS

Physical Specifications

Size: 17.65in x 8in

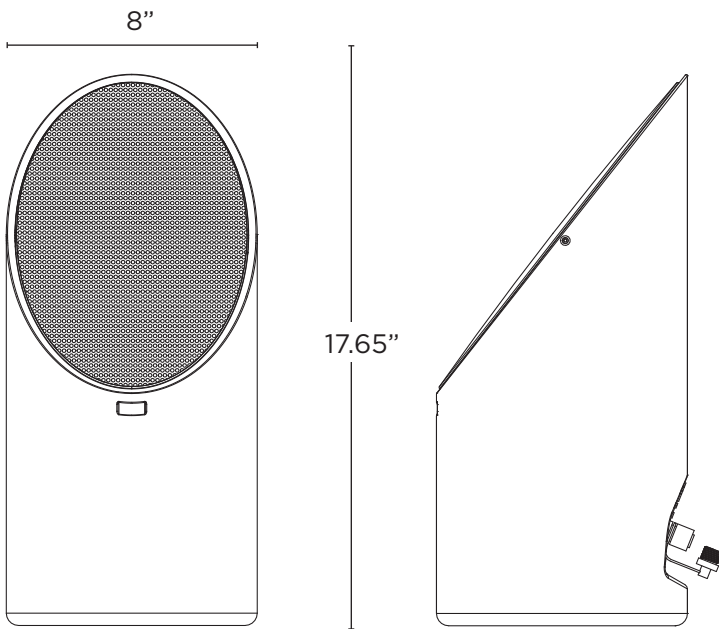
Weight: 10.5lbs

Finish: Brown

Woofers: 6.5" Polypropylene Cone w/
Santoprene Surround

Tweeter: 1" Titanium Dome with articulating mount

Construction: Fiberglass Enclosure w/Aluminum
Grill



NOTES

Performance Specifications

Power Handling: 100W Max Power

Minimum Recommended Amplifier Power
(per speaker): 25 Watts

Frequency Response: 70Hz - 20kHz

Impedance: 8 ohms

Input: Male Coastal Connector™

Efficiency: 88dB 1w/M

Dispersion: 120° @ -6dB

OPTIONAL ACCESSORIES

External 70V Plug+Play Step Down Transformers

8" Removable Tip Stake

Theft Guard



COASTAL SOURCE

DEFYING THE ELEMENTS

Research & Development Facility

11450 Overseas Highway • Suite 200 • Marathon, FL 33050

Corporate Office

1270 Glen Ave • Moorestown, NJ 08057

phone 800.719.1996

www.coastalsource.com