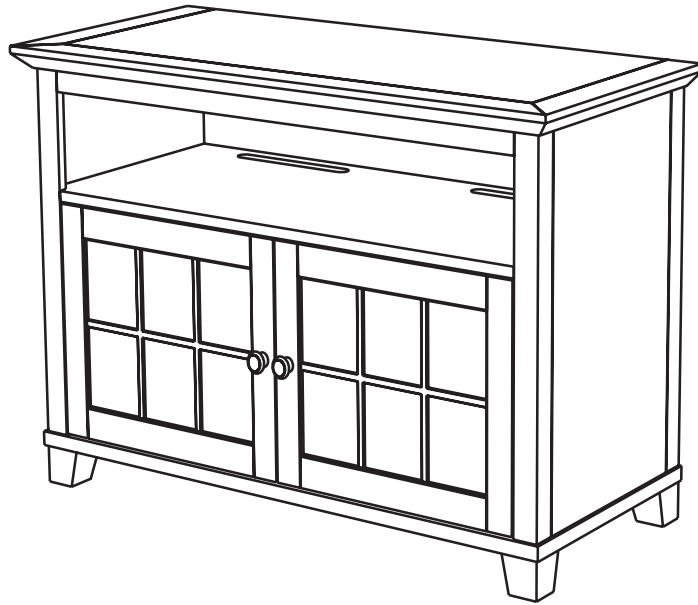
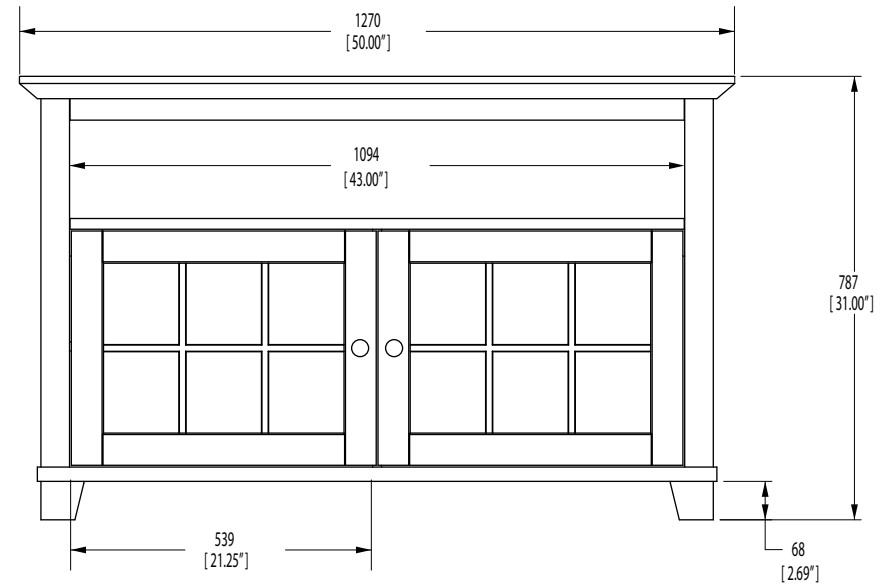




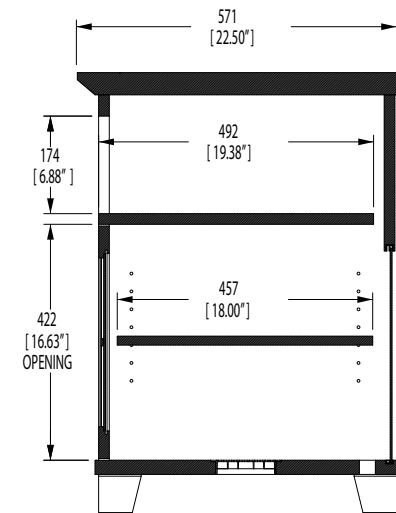
SDAV1 5031



FRONT VIEW



SIDE VIEW



FRONT

REAR

© 2011 Salamander Designs Ltd.
The information and designs contained in this drawing proprietary of SALAMANDER DESIGNS
and may NOT be reproduced. Specifications subject to change without notice. Rev 1/11.