

OWNER'S MANUAL

S4VC / S6VC

Multi-Room Speaker Selectors with Volume Controls

SpeakerCraft's S4VC / S6VC Multi-Room Speaker Selectors with Volume Controls allow the operation of multiple pairs of speakers when using one amplifier or receiver. Once the speakers are connected to the selector, individual pairs may be turned on or off as desired using the push buttons on the front of the selector. A separate volume control for each pair allows the ability to control or limit speaker volume right at the selector. When engaged, the rear protection switch ensures safe operation, even by those unfamiliar with the system.

Installation utilizing Direct Connect makes wiring the selector to your speakers quick and easy. With a simple turn of a screw, wires are solidly secured and a perfect electrical bond is created. The process is quick, simple, and eliminates the worry of wires becoming loose.

INSTALLATION

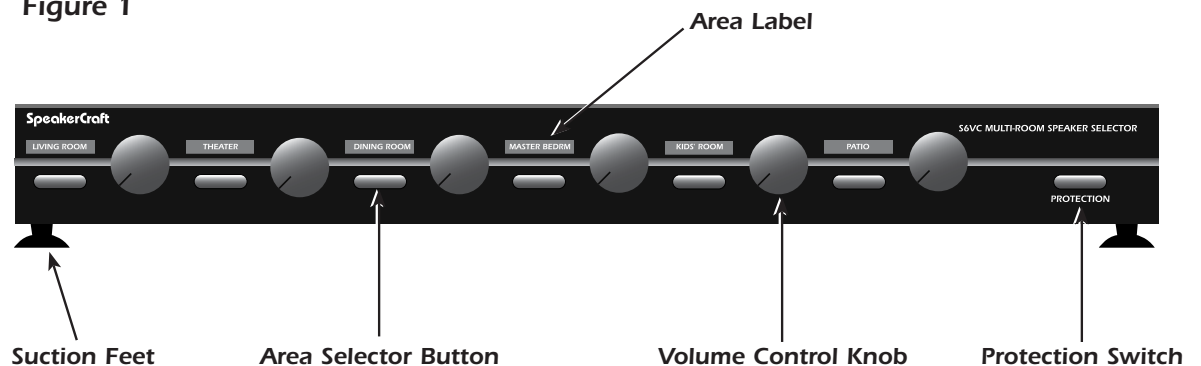
Guidelines

- Use the Multi-Room Speaker Selectors only with amplifiers rated at 125 watts per channel or less.
- The Direct Connect connectors on the S4VC / S6VC accept wire up to 14 AWG. If you are not sure about the gauge of the wire you intend to use, please consult your SpeakerCraft dealer.
- To avoid possible damage to your amplifier, pay careful attention to the section titled "Protection Settings".
- One set of adhesive area labels is included for identifying the locations of speakers on the front of the speaker selector.
- Do not daisy chain (hook the outputs of one selector into the inputs of another) speaker selectors together.
- Do not connect impedance matching volume controls to the speaker outputs of the selectors. Standard volume controls, such as SpeakerCraft models VST60, VST60fc, VST45, VCR120, VCR60 or VWS60, should be used if additional volume controls are needed in the system.

Placement

The unique suction feet on the bottom of the selector increases placement options and holds the selector securely when buttons are depressed. The suction feet are designed to work well with a variety of textures that cover the tops of other components.

Figure 1



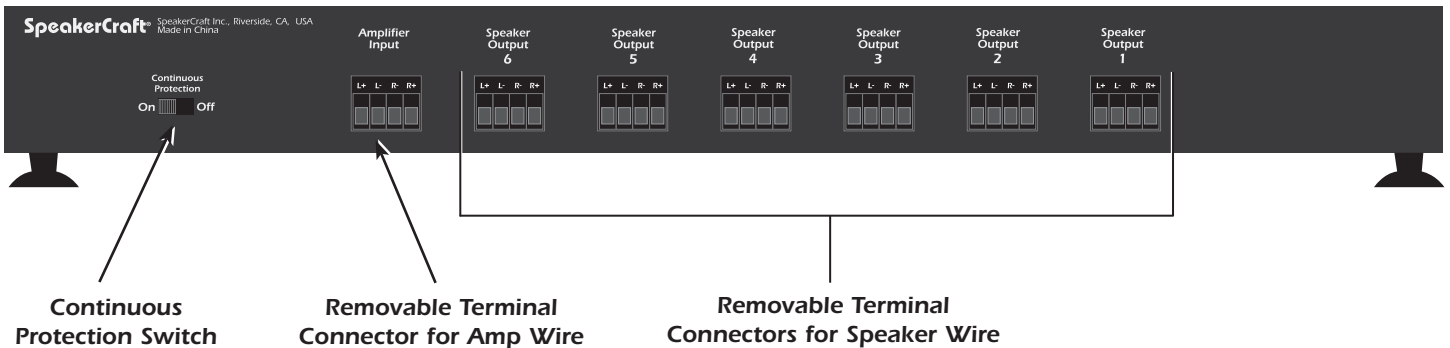
SpeakerCraft®

Connecting Wires to the Speaker Selector

CAUTION: Please make sure your amplifier or receiver is turned off before proceeding.

Direct Connect features removable terminal connectors, which simplify connecting the speaker and amplifier wires to the Speaker Selector. (See Figure 2)

Figure 2

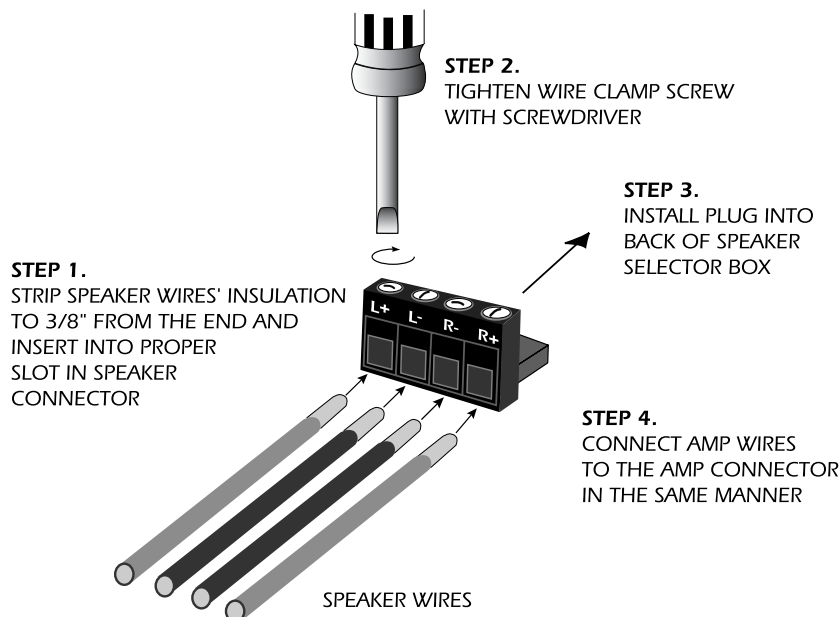


For best results, use speaker wire that is at least 18 gauge. For runs longer than 75 feet, 14 gauge wire is recommended. Wire larger than 14 gauge is not recommended because it may not fit into the connector. For best results, strip all wire insulation no more than 3/8" from the end before inserting into the connector.

1. Pull the Direct Connect terminal from its location on the back of the cabinet. This will make it easier to connect the wires. (See Figure 3)
2. Connect the wires from the speakers to the appropriate location under "SPEAKERS" on the removable terminals. Please observe proper polarity (+, -) of the connections. (See Figure 3)
3. Connect the amplifier's or receiver's speaker outputs to the appropriate location under "AMPLIFIER" on the removable terminal. Please observe proper polarity (+, -) of the connections. (See Figure 3)

CAUTION: If the "AMPLIFIER" and "SPEAKERS" connections are reversed, a short could result across the amplifier or receiver output terminals, which may seriously damage your amplifier or receiver. Please double-check all connections before turning on your amplifier or receiver.

Figure 3



Labeling the front of the Speaker Selector (See Figure 4)

There is one set of adhesive labels included to be used on the front of the Speaker Selector. These labels make it easy to identify which area has been selected when the button is depressed. There are indentations above each button on the front of the Selector. Place the appropriate area label into each of these locations. If you can't find the label you need, you can create your own by writing on one of the blank labels using a pen or small marker.

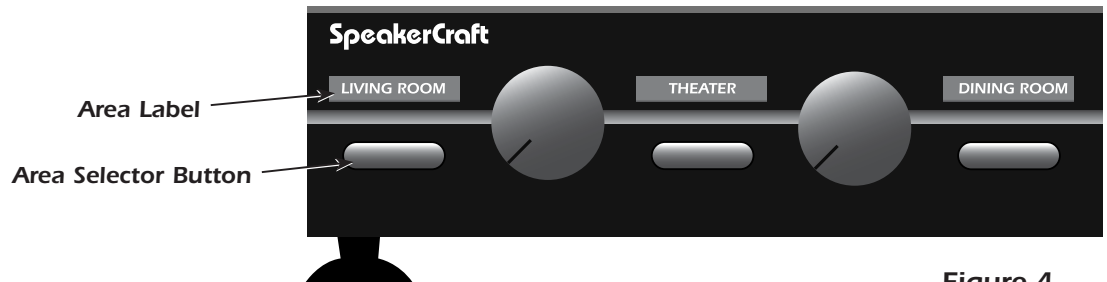


Figure 4

OPERATION

Understanding the Protection Circuit

To prevent damage to your amplifier or receiver, the S4VC and S6VC feature protection circuitry. When engaged, the protection features prevent damage from occurring to your amplifier or receiver.

When to Use the Front Mounted Protection Switch

The front Protection switch (See Figure 5) should be engaged under the following circumstances to best protect your amplifier or receiver. The switch is "ON" when depressed:

Speakers Selected	Front Protection Button
1 or 2 pair of 8Ω speakers	OFF
3 or more pairs of 8Ω speakers	ON
1 pair of 4Ω speakers	OFF
2 or more pairs of 4Ω speakers	ON
A combination of 4 and 8Ω speakers	ON

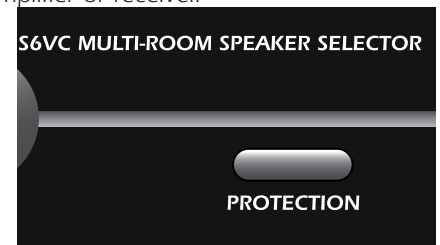


Figure 5

When to Use the Rear Mounted Protection Switch

On the back of the selector there is a slide switch labeled "Continuous Protection" (See Figure 6). When this button is in the "ON" position, it will override the front Protection button and assure that the protection circuitry is always on, no matter what the position of the front button.

This switch should be placed in the "ON" position if you are concerned that someone unfamiliar with the system may fail to properly use the front protection button.



Figure 6

Selecting Speaker Pairs

To turn on a pair of speakers, simply depress the button associated with that pair. Please take precautions to make sure that the amplifier volume is not set at a high level before you depress the button.

Using the Volume Controls

1. Select a pair of speakers as described above.
2. Turn up the volume on the receiver or amplifier until it reaches your desired listening level. It should not be so high that your amplifier sounds distorted, this could harm your speakers.
3. You can now use the knob which corresponds with the speaker pair you selected. Rotating the knob completely counterclockwise will turn the volume off.
4. Control the volume of the selected pair of speakers or limit the maximum sound output of the selected pair if used in conjunction with another, non-impedance matching volume control.

SPECIFICATIONS

	S4VC	S6VC
Description:	Four Zone Multi-Room Speaker Selector with Volume Controls	Six Zone Multi-Room Speaker Selector with Volume Controls
Selector Power Handling:	125 Watts Per Channel	125 Watts Per Channel
Frequency Response:	20Hz - 20 kHz \pm 0dB	20Hz - 20 kHz \pm 0dB
Protection:	Front Mounted Switch & Rear Override	Front Mounted Switch & Rear Override
Dimensions:	(H) 2 $\frac{3}{8}$ " x (W) 17" x (D) 6 $\frac{1}{2}$ "	(H) 2 $\frac{3}{8}$ " x (W) 17" x (D) 6 $\frac{1}{2}$ "
Volume Control Power Handling:	60 Watts	60 Watts
Volume Control Total Attenuation:	42 dB Maximum	42 dB Maximum
Volume Control Switch:	12 Step "Make Before Break" Design	12 Step "Make Before Break" Design

LIMITED LIFETIME WARRANTY

SpeakerCraft Inc. warrants to the original retail purchaser **only** that this SpeakerCraft product will be free from defects in materials and workmanship, provided the speaker was purchased from a SpeakerCraft Authorized Dealer.

Defective products must be shipped, together with proof of purchase, prepaid insured to the SpeakerCraft Authorized Dealer from whom they were purchased, or to the SpeakerCraft factory at the address listed on this installation instruction manual. Freight collect shipments will be refused. It is preferable to ship this product in the original shipping container to lessen the chance of transit damage. In any case, the risk or loss or damage in transit is to be borne by the purchaser. If, upon examination at the Factory or SpeakerCraft Authorized Dealer, it is determined that the unit was defective in materials or workmanship at any time during this warranty period, SpeakerCraft or the SpeakerCraft Authorized Dealer will, at its option, repair or replace this product at no additional charge, except as set forth below. If this model is no longer available and can not be repaired effectively, SpeakerCraft, at its sole option may replace the unit with a current model of equal or greater value. In some cases where a new model is substituted, a modification to the mounting surface may be required. If mounting surface modification is required, SpeakerCraft assumes no responsibility or liability for such modification. All replaced parts and product become the property of SpeakerCraft Inc. Products replaced or repaired under this warranty will be returned to the original retail purchaser, within a reasonable time, freight prepaid.

This Warranty does not include service or parts to repair damage caused by accident, disaster, misuse, abuse, negligence, inadequate packing or shipping procedures, commercial use, voltage inputs in excess of the rated maximum of the unit, or service, repair or modification of the product which has not been authorized or approved by SpeakerCraft. This Warranty also excludes normal cosmetic deterioration caused by environmental conditions. This Warranty will be void if the Serial Number on the product has been removed, tampered with or defaced.

This Warranty is in lieu of all other expressed warranties. If the product is defective in materials or workmanship as warranted above, the purchaser's sole remedy shall be repair or replacement as provided above. In no event will SpeakerCraft be liable for any incidental or consequential damages arising out of the use or inability to use the product, even if SpeakerCraft Inc. or a SpeakerCraft Inc. Authorized Dealer has been advised of the possibility of such damages, or for any claim by any other party. Some states do not allow the exclusion or limitation of consequential damages, so the above limitation and exclusion may not apply.

All implied warranties on the product are limited to the duration of this expressed Warranty. Some states do not allow limitation on the length of an implied warranty. If the original retail purchaser resides in such a state, this limitation does not apply.



SpeakerCraft offers a variety of accessories to make your installation of these speakers and other SpeakerCraft products easy, economical, and professional. Contact your authorized SpeakerCraft Dealer for more information.

Should you have any questions regarding this, or any other SpeakerCraft product, please call our toll-free service hotline at 1-800-448-0976. We are available to assist you every weekday, except holidays, between the hours of 7:00 a.m. and 5:00 p.m. PST.